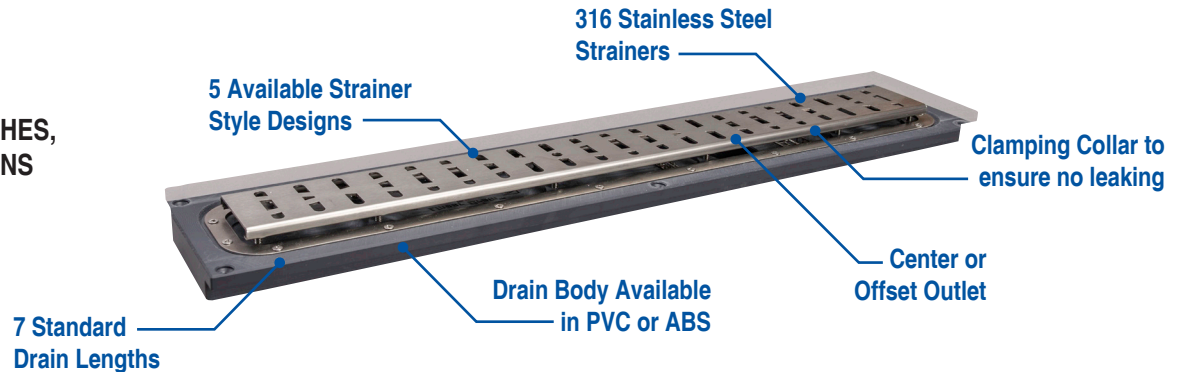


# FreeStyle Linear Drain™

U.S. Patent No. 8,474,068 | Canadian Patent No. 2,690,794

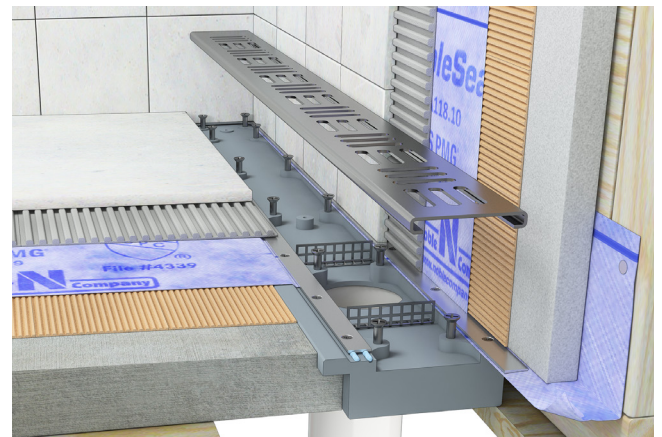
DIMENSIONS, FINISHES,  
AND SPECIFICATIONS  
ON PAGE 2



**ALSO AVAILABLE WITH FACTORY-INSTALLED NOBLESEAL FLASHING FOR EASE OF INSTALLATION**

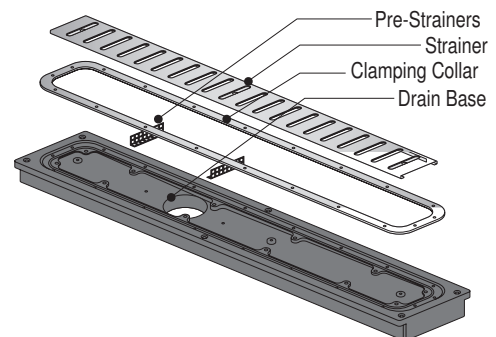
## FEATURES & BENEFITS

- Plumbing Code Approved (Listed)
- Seven drain lengths
- Five strainer designs - 316 stainless steel
- ADA-compliant strainer options
- Ideal for use in barrier-free showers
- High capacity 36 GPM drainage
- Seamless PVC and ABS construction
- One-piece base construction with low profile
- Secure watertight connection
- Flat bottom with internal slope to drain – no shimming
- No substrate modification required
- Center or offset outlet
- Install at thresholds or exits for overflow control
- Removable internal pre-strainer
- Suitable for outdoor use
- Clamping Collar ensures watertight connection
- Waste pipe fastens directly to drain
- Customizable drains for large projects (*minimum 50 units*)
- Link multiple strainers to span longer areas
- Full Mortar Bed Adapter Kit available



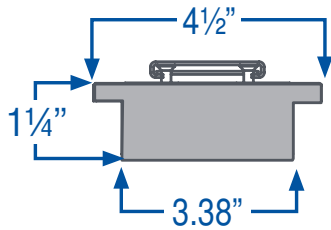
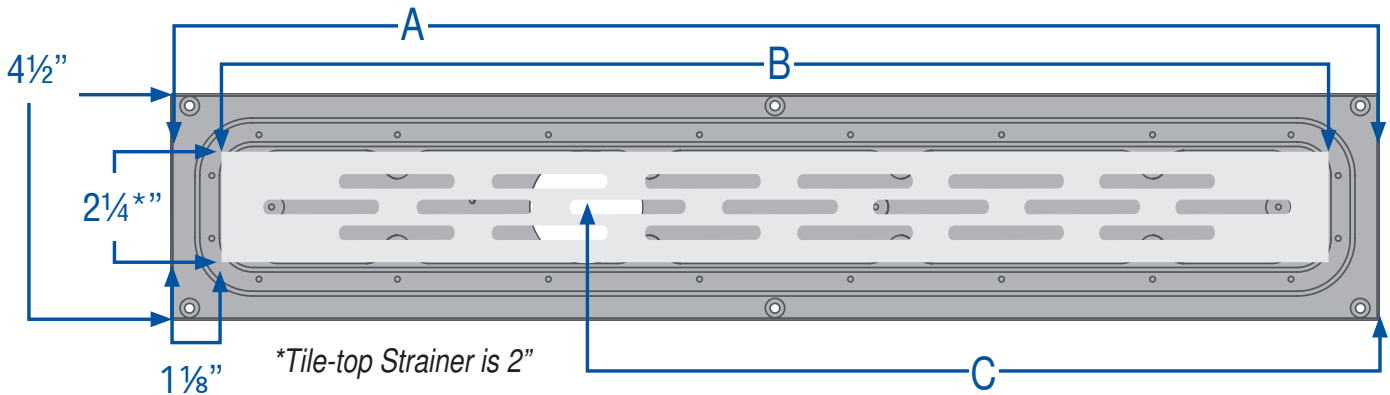
**Thin Bed Installations:** Use Freestyle Linear Drains with NobleSeal® TS or AquaSeal™ sheet membranes.

**Full Mortar Bed Installations:** Use Freestyle Linear Drains with Chloraloy® sheet membranes and the Full Mortar Bed Adapter Kit.



Approved by the State of Massachusetts

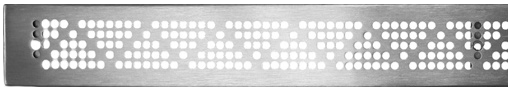




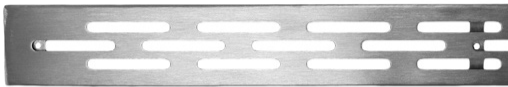
A. Drain Length	24"	32"	36"	40"	48"	54"	60"
B. Strainer Length*	21 <sup>3</sup> / <sub>4</sub> "	29 <sup>3</sup> / <sub>4</sub> "	33 <sup>3</sup> / <sub>4</sub> "	37 <sup>3</sup> / <sub>4</sub> "	45 <sup>3</sup> / <sub>4</sub> "	51 <sup>3</sup> / <sub>4</sub> "	57 <sup>3</sup> / <sub>4</sub> "
C. Offset Hole Location	15 <sup>3</sup> / <sub>4</sub> "	19 <sup>1</sup> / <sub>2</sub> "	21 <sup>3</sup> / <sub>4</sub> "	23 <sup>3</sup> / <sub>4</sub> "	27 <sup>3</sup> / <sub>4</sub> "	30 <sup>3</sup> / <sub>4</sub> "	33 <sup>3</sup> / <sub>4</sub> "
C. Center Hole Location	12"	16"	18"	20"	24"	27"	30"

\*Deduct <sup>3</sup>/<sub>8</sub>" for Tile-top Strainers Length

## STRAINERS



Style: Pyramid<sup>1</sup> Finish: Stainless Steel



Style: Slotted<sup>1</sup> Finish: Stainless Steel



Style: Wave Finish: Stainless Steel



Style: Cross-Hatch Finish: Stainless Steel



Style: Tile-top<sup>1</sup> Finish: Insert your own tile

\*Strainer height is adjustable to match tile height.

<sup>1</sup> Complies with ADA guidelines for handicap accessible showers

## TO BE SPECIFIED:

### Drain Size:

- 24"     32"     36"     40"  
 48"     54"     60"

### Drain Outlet Location:

- Center     Offset

### Drain Base Material:

- PVC     ABS

### Strainer Style:

- Pyramid<sup>1</sup>     Slotted<sup>1</sup>     Wave  
 Cross-Hatch     Tile-Top<sup>1</sup>

### Accessories:

- Full Mortar Bed Adapter Kit  
 Strainer Connector Kit  
 **Factory-Installed Flashing**