



U.S. Patent No. 7,632,401

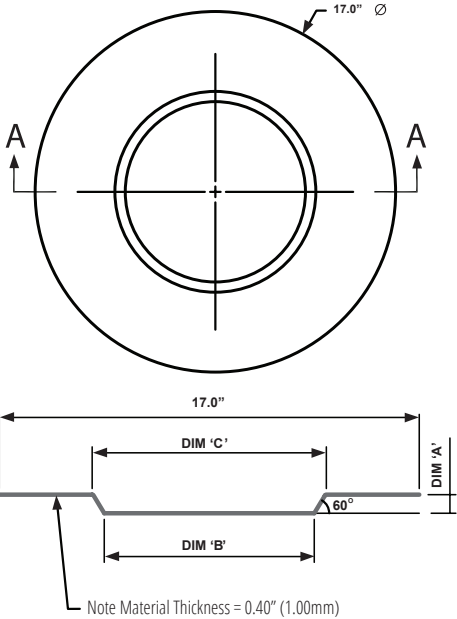
NobleFlex Drain Flashing

Provides smooth transition of the membrane to a clamping ring drain.

BENEFITS

- Enables the use of Noble bonded membranes (ANSI A118.10) with traditional clamping ring drains
- Facilitates membrane to drain transition when drain is set too low
- Alternative to “integrated bonding flange” drains
- Easy to install
- Custom sizes available with minimum quantity order
- Available in 5 depths:

DIMENSION A	DIMENSION B	DIMENSION C
.75"	8.5"	9.3"
1.125"	8.5"	9.8"
1.5"	8.5"	10.2"
1.75"	8.5"	10.5"
2"	8.5"	10.8"



**VIEW MORE PRODUCT
DETAILS, VIDEOS,
AND DIAGRAMS ONLINE**



Simple Solutions... Proven Performance



P.O. Box 350 · Grand Haven, MI 49417-0350 · 800-878-5788 · Fax: 231-799-8850
 © Registered Trademark of Noble Company, Grand Haven, MI. © 2016 Noble Company
 File # NF032016-54 | 03/16 | Supersedes NF092015-05

