

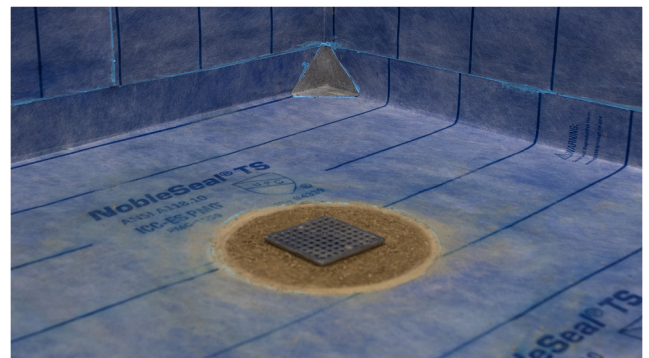
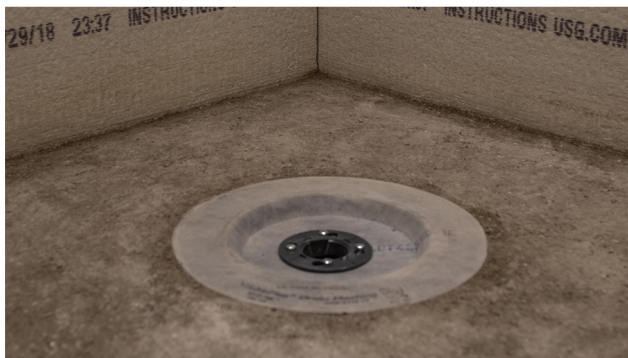
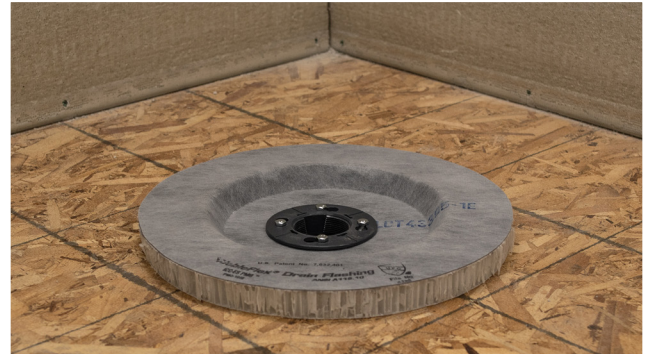
VIEW MORE PRODUCT  
DETAILS, VIDEOS,  
AND DIAGRAMS ONLINE



# NobleFlex® SD

Drain Flashing

www.noblecompany.com



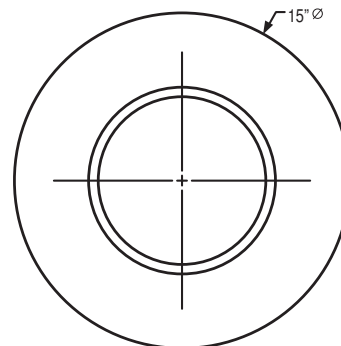
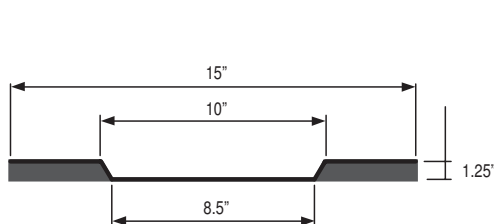
U.S. Patent No. 7,632,401

## NobleFlex SD Drain Flashing (Solid Divot)



### BENEFITS

- Provides smooth transition of the membrane to a clamping ring drain
- Enables the use of bonded membranes (ANSI A118.10) with traditional clamping ring drains
- Provides a profile to screed sloped mud bed to
- Facilitates membrane to drain transition
- Alternative to "integrated bonding flange" drains - fits most drains
- Easy to install



Simple Solutions... Proven Performance



7300 Enterprise Drive, Spring Lake, MI 49456 · 800-878-5788 · Fax: 231-799-8850  
 © Registered Trademark of Noble Company, Spring Lake, MI. © 2019 Noble Company  
 File # NF052019-05 | 05/19

