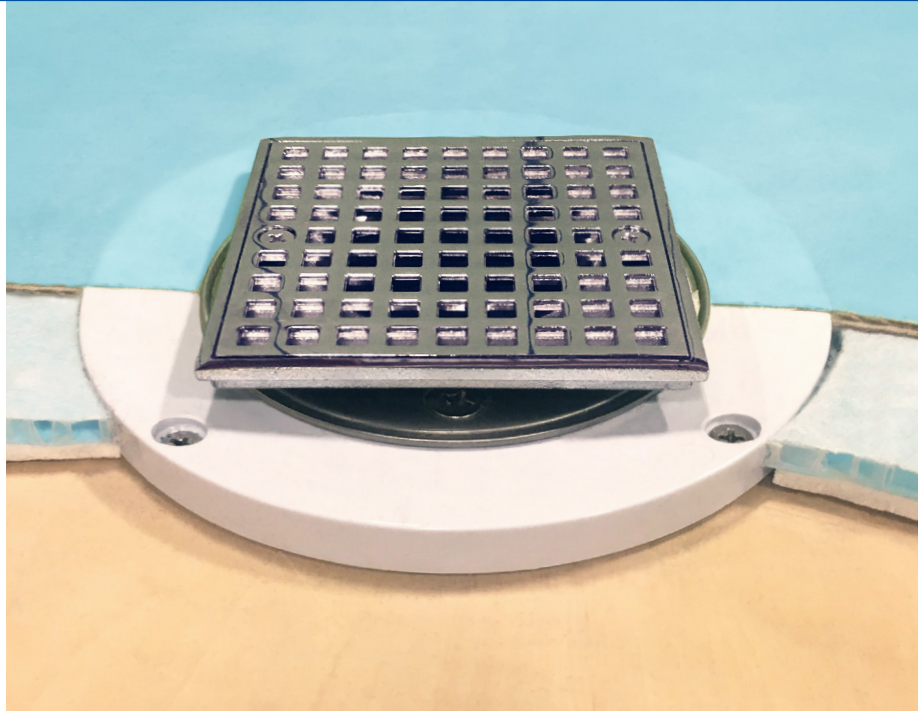


# ProBase® II Multi-Slope™

Shower Base Kit

www.noblecompany.com



Drain sold separately

Patent Pending

**KIT INCLUDES:** Pre-Sloped Base, AquaSeal™ Waterproofing Sheet Membrane, Solid Curbs, Thin-Line™ Installation Accessories, and NobleSealant 250.  
ALSO AVAILABLE ALA-CARTE

## Multi-Slope Shower Base Kit

Quick and easy installation with modified thin-set mortar or NobleBond EXT to provide the code-required slope to drain. Base is designed to provide a smooth transition to Noble Company's FreeStyle Thin-Bed Drain™ (sold separately).

### BENEFITS

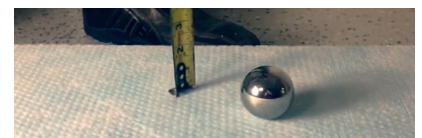
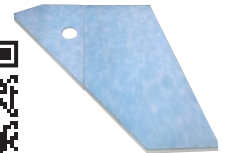
- Offered in:
  - Honeycomb/Foam composite
  - Foam
  - Honeycomb/Foam composite - Pre-Waterproofed
  - Foam - Pre-Waterproofed
- Multi-Slope to drain
- Honeycomb/Foam composite offers superior impact resistance
- Ideal integration with FreeStyle Thin-Bed Drain
- Base is easy to cut to accommodate various shower installations
- Install with NobleBond EXT or modified thin-set mortar
- Custom sizes available upon request

### STANDARD SIZES:

- 32" x 60" End Drain
- 32" x 60" Center Drain
- 38" x 38" Center Drain
- 48" x 48" Center Drain
- 48" x 72" Center Drain
- 72" x 72" Center Drain

### CUSTOM SHAPES AND SIZES:

Scan Code for 72-Hour Program



Simple Solutions... Proven Performance



VIEW BALL DROP IMPACT  
COMPARISON VIDEO  
FEATURING PRO-BASE II



# ProBase® II Multi-Slope™

## Shower Base Kit

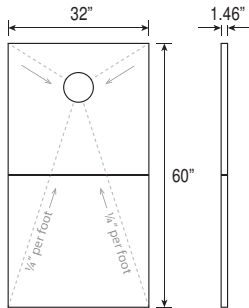
VIEW MORE PRODUCT  
DETAILS, VIDEOS, AND  
DIAGRAMS ONLINE



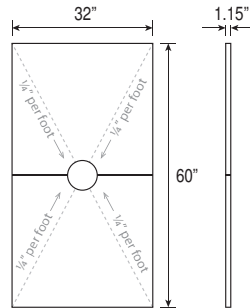
### STANDARD SIZES AND THICKNESS

Thickness at drain hole in base is 1/2"

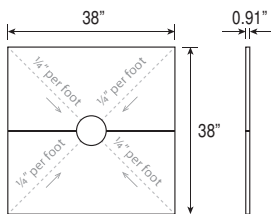
#### 32" x 60" END DRAIN



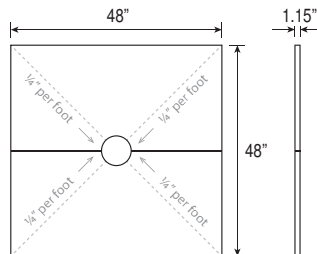
#### 32" x 60" CENTER DRAIN



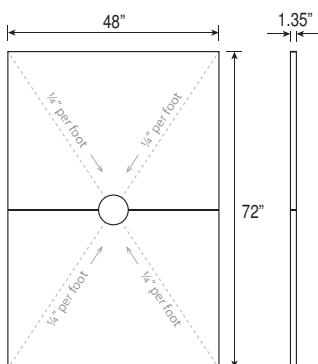
#### 38" x 38" CENTER DRAIN



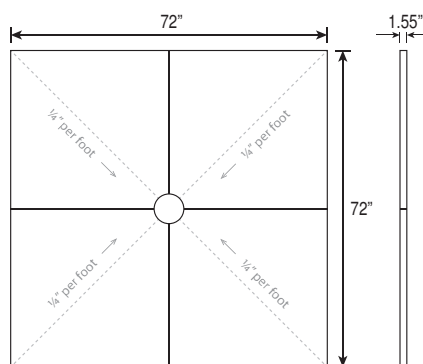
#### 48" x 48" CENTER DRAIN



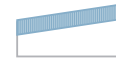
#### 48" x 72" CENTER DRAIN



#### 72" x 72" CENTER DRAIN



### BASE MATERIAL OPTIONS



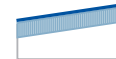
#### Honeycomb

Compressive Strength:  
235 PSI



#### Foam

Compressive Strength:  
46 PSI



#### Pre-Waterproofed Honeycomb

Compressive Strength:  
235 PSI



#### Pre-Waterproofed Foam

Compressive Strength:  
46 PSI

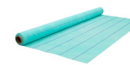
### INCLUDED IN KIT



#### Sloped Base

Patent Pending

The multi-sloped design seamlessly integrates with Noble Company's FreeStyle Thin-Bed Drain™.



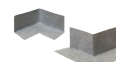
#### AquaSeal™ Waterproofing Sheet Membrane

Ultra-thin waterproofing membrane designed for bonded applications.



#### Noble Solid Curbs

Durable, preformed curbs are easy to install.



#### Noble Thin-Line™ Inside and Outside Corners

A fast and easy way to protect against leaks in corners.



#### Noble Thin-Line Pipe Collar and Mixing Valve Collar

Convenient, easy-to-use accessories to seal around pipes and valves.



#### NobleSealant 250

Polymeric sealant for seaming waterproofing sheet membrane to drain body.

### DRAIN *sold separately*



#### FreeStyle Thin-Bed Drain™

Proprietary drain that is designed for use with ProBase II Multi-Slope. Available in 5 strainer finishes.



Simple Solutions... Proven Performance

7300 Enterprise Drive, Spring Lake, MI 49456 · (800) 878-5788  
Fax: (231) 799-8850 · www.noblecompany.com  
© Registered Trademark of Noble Company  
™ Trademark of Noble Company © 2022 Noble Company

File #PB112022-05 | 11/22 | Supersedes #PB122021-12